

A WORLD OF COMFORT

 Eberspächer



CLIMATE CONTROL SYSTEM / AC135-125 & AC135-130

MIDI BUS ROOFTOP AIR CONDITIONER

ALL BENEFITS AT A GLANCE



- Uniform interface for all buses for all performance classes
- Reduced installation costs
- For use in all climate zones
- For use with side or centre return air grilles



- MCHX condenser covers a wide cooling capacity range with optimal refrigerant quantity
- Large diameter fans boosts MCHX efficiency and reduces current consumption



- Components shared with other high quality units from our portfolio



- Flat-tube heat exchanger technology (MCHX)
- Aluminium heat exchangers
- Lightweight aluminium construction
- Reduced roof footprint



- Low weight for reduced fuel consumption
- Reduced sheet-metal content
- Reduced energy consumption



- 2 fan unit AC 135-125

AC135-125



AC135-130



TECHNICAL DATA

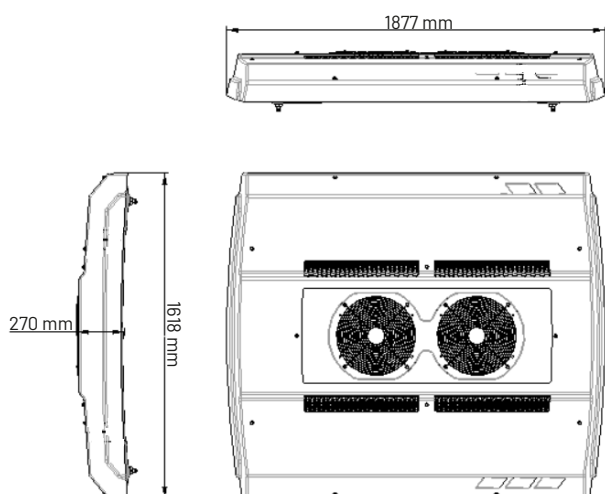
PARAMETER***	AC135-125	AC135-130
Capacity class	25 kW	30 kW
Heating capacity	31 kW	35 Kw
Length	1880 mm	2210 mm
Width	1620 mm	1870 mm
Height	270 mm	270 mm
Weight	90 kg	123 kg
Evaporator air capacity	3800 m ³ /h	4500 m ³ /h
Current consumption (24VDC)	58 Amps	82 Amps
Refrigerant	R134a	R134a
Roof radius*	10 m	10 m
Compressor size**	430/470 cc	430/470 cc

*Other roof radii available on request.

**Other compressor types available on request.

***Please contact Eberspächer for further details.

AC135-125



AC135-130

