

AC136 AE HP (ALL-ELECTRIC/HEAT PUMP) ROOF-MOUNTED AIR CONDITIONER FOR HYBRID AND ELECTRIC BUSES



PRODUCT ADVANTAGES:

- System combines heating and cooling in a single device – reversible refrigerant circuit
- Condenser suitable for tropical conditions in cooling mode
- Different Heating and cooling performance in a single system
- Brushless 24 V fans
- Heat generation is up to three times as efficient than with electrical additional heater
- Technology and components have been tested with R134a refrigerant
- 100 % fresh air supply

The new AC136 AE HP with heat-pump technology from Eberspächer Süttrak sets new standards in the area of bus air conditioning solutions. By combining cooling and heating functions in one system and, in particular, reversing the circuit, Eberspächer Süttrak has succeeded in developing a tailor-made air conditioning system for trolley buses and electric vehicles. The convectors are engineered to ensure maximum efficiency. Brushless fans as well as a 100% fresh air supply complete the profile of the new AC136 AE HP. Furthermore, its modular design ensures rapid and trouble-free installation on the bus roof.



MODULAR



LIGHTWEIGHT CONSTRUCTION



ENERGY EFFICIENCY



ENVIRONMENTAL PROTECTION



LIFE-CYCLE COSTS

TECHNICAL DATA

AC136 AE HP

Nominal cooling performance (50/70 Hz)	20 / 22 kW
Max. cooling performance (50/70 Hz)	26 / 29 kW

The nominal cooling performance was determined under the following conditions: exterior temperature 35 °C, interior temperature 27 °C. The max. cooling performance was determined under the following conditions: exterior temperature 35 °C, interior temperature 40 °C.

Nominal heating performance, heat pump (50/70 Hz)	11 / 13 kW
Max. heating performance, heat pump (50/70 Hz)	18 / 22 kW

The nominal heating performance was determined under the following conditions: exterior temperature -5 °C, interior temperature 16 °C. The max. heating performance was determined under the following conditions: exterior temperature 10 °C, interior temperature 20 °C.

Heating performance, water convector	18 kW
--------------------------------------	-------

Length x width x height	2,590 x 2,010 x 420 mm
-------------------------	------------------------

Weight	299 kg
--------	--------

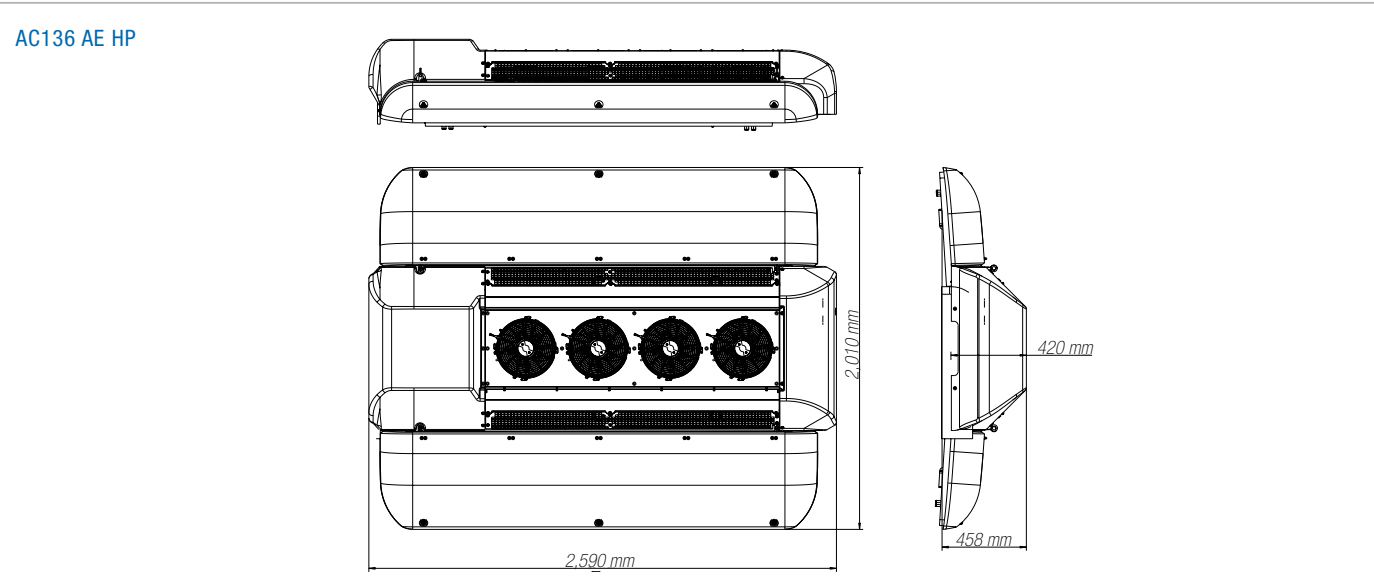
Evaporator air flow rate	6,600 m ³ /h
--------------------------	-------------------------

Current draw at 24 VDC	88 A
------------------------	------

Nominal power consumption, cooling, at 400 V AC (50/70 Hz)	4.8 / 7.1 kW
Max. power consumption, cooling, at 400 V AC (50/70 Hz)	5.4 / 8.6 kW

Nominal power consumption, heating, at 400 V AC (50/70 Hz)	2.4 / 3.3 kW
Max. power consumption, heating, at 400 V AC (50/70 Hz)	3.3 / 4.8 kW

Refrigerant	R134a
-------------	-------



Version 09/2017 · FACT | factnet.de · Printed in Germany. Subject to change without notice.