

AC353-5 THE GLOBAL INLINE SYSTEM



AIR CONDITIONING



MODULAR

- Uniform interface for all buses for all performance classes
- Reduced installation costs
- For use in all climate zones



LIGHTWEIGHT
CONSTRUCTION

- Flat-tube heat exchanger technology (MCHX)
- Weight reduction up to 10%



ENERGY EFFICIENCY

- Reduced power consumption - up to 10%
- Increased cooling capacity available from the same footprint
- MCHX condenser covers a wide cooling capacity range with minimal refrigerant quantity
- Large diameter fans with optimised blade geometry enables a high airflow with a low power consumption



ENVIRONMENTAL
PROTECTION

- Reduced refrigerant - up to 15%
- Reduction in number of refrigerant connections by up to 25%
- High efficiency condenser fans produce less noise



LIFE-CYCLE COSTS

- Brushless motors ensure long running times for condenser fans (option) and evaporator blowers
- Reduced refrigerant quantity by up to 15%
- Service access from inside bus or from roof



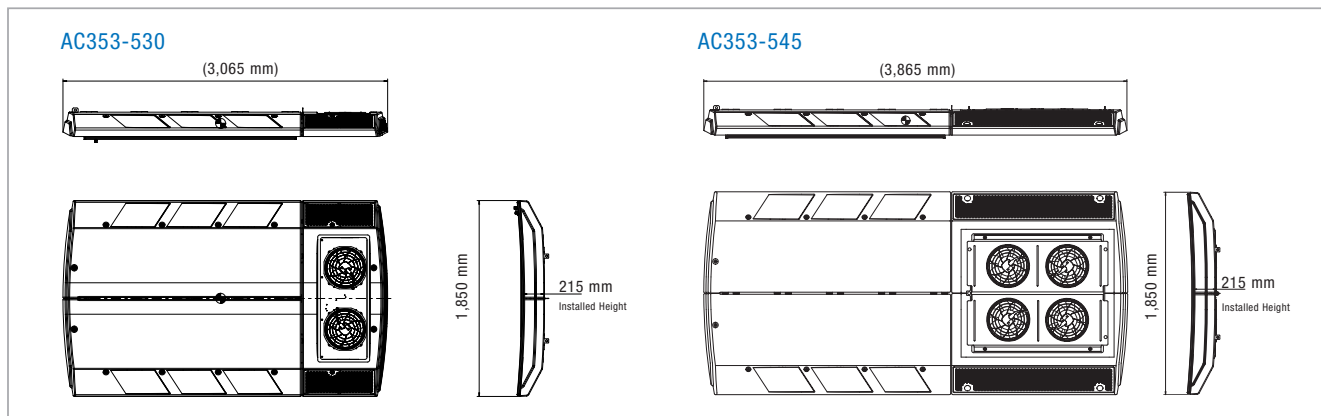
Eberspächer

PERFORMANCE DATA*

PARAMETER	AC353-530	AC353-535	AC353-540	AC353-545	AC353-550
Capacity class	30 kW	35 kW	40 kW	45 kW	50 kW
Heating capacity	38 kW	38 kW	38 kW	24 kW	24 kW

Length	3065 mm	3865 mm	3865 mm	3865 mm	3865 mm
Width	1850 mm	1850 mm	1850 mm	1850 mm	1850 mm
Height	215 mm	215 mm	215 mm	215 mm	215 mm
Weight	147 kg	159kg	167 kg	179 kg	190 kg
Evaporator air capacity	4400 m ³ /hr	6600 m ³ /hr	6600 m ³ /hr	8800 m ³ /hr	8800 m ³ /hr
Current consumption (24VDC)	64 Amp	81 Amp	92 Amp	120 Amp	120 Amp
Refrigerant	R134a	R134a	R134a	R134a	R134a
Roof Radius*	10m	10m	10m	10m	10m
Compressor size**	470 cm ³	560 cm ³	560 cm ³	650 cm ³	775 cm ³

* Other roof radii available on request ** Other compressor types available on request



*Please contact Eberspächer for further details