

AC353 NARROW ROOF-MOUNTED UNITS FOR SCHOOL BUSES



AIR CONDITIONING



MODULAR

- Standardised mounting surfaces and roof apertures makes installation simpler
- Simple roof mounting thanks to preliminary assembly of condenser and evaporator
- For use in all global climate zones



LIGHTWEIGHT
CONSTRUCTION

- Lightweight due to modular design thanks to advanced MCHX condenser technology



ENERGY EFFICIENCY

- Reduced power consumption - up to 10%
- Increased cooling capacity available from the same footprint
- MCHX condenser covers a wide cooling capacity range with minimal refrigerant quantity
- Large diameter fans with optimised blade geometry enable a high airflow with a low power consumption



ENVIRONMENTAL
PROTECTION

- Reduced refrigerant quantity - less burden on the environment
- Ultra lightweight for reduced fuel consumption and lower emissions

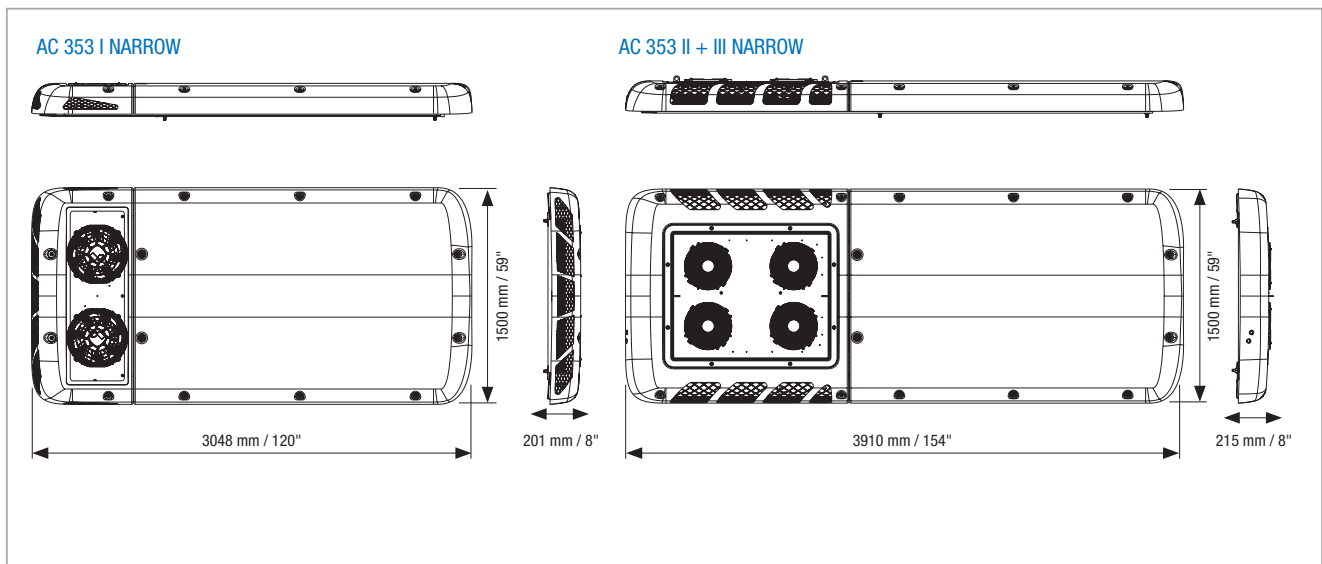


LIFE-CYCLE COSTS

- Reduced refrigerant quantity - less burden on the environment
- Service access from inside bus or from roof

TECHNICAL DATA*

Parameter	AC353 G4 I NARROW		AC353 G4 II NARROW		AC353 G4 III NARROW	
	Metric	Imperial	Metric	Imperial	Metric	Imperial
Nominal cooling performance	20 kW	68000 Btu/hr	26 kW	89000 Btu/hr	29 kW	99000 Btu/hr
Max. cooling performance	27 kW	935000 Btu/hr	35 kW	120000 Btu/hr	38 kW	130000 Btu/hr
The nominal cooling performance was determined under the following conditions: exterior temperature 35°C, interior temperature 27°C. The maximum cooling performance was determined under the following conditions: exterior temperature 35°C, interior temperature 40°C.						
Heating performance*	38 kW	130000 Btu/hr	38 kW	130000 Btu/hr	38 kW	130000 Btu/hr
Length	3,048 mm	120"	3,910 mm	154"	3,910 mm	154"
Width	1,500 mm	59"	1,500 mm	59"	1,500 mm	59"
Height	201 mm	8"	215 mm	8"	215 mm	8"
Weight	155 kg	340 lb	175 kg	385 lb	180 kg	400 lb
Evaporator air capacity	4,400 m³/h	2600 CFM	6,600 m³/h	3900 CFM	6,600 m³/h	3900 CFM
Total power input at 12/24 VDC	72 A		94 A		94 A	
Refrigerant	R134a		R134a		R134a	
Compressor capacity	470 cm³		560 cm³		560 cm³	



*Please contact Eberspächer for further details