

A WORLD OF COMFORT



CLIMATE CONTROL SYSTEM / AC135

COMPACT ROOF-MOUNTED ALL-ELECTRIC UNITS FOR COOLING OF ELECTRIC BUSES

ALL BENEFITS AT A GLANCE



Modular:

- Modular interface for all buses for all performance classes
- Aerodynamic profile with reduced roof footprint
- Reduced installation time due to parallel system with one-piece unit including both condenser, evaporator, compressor and battery cooling heat exchanger
- For use in all climate zones
- For use with side or centre return air grilles
- Available with options for water heating, fresh air (max 25%), inverter and battery cooling all within the same unit
- High ambient operations using R407C refrigerant



Energy efficiency:

- Use of a hermetic scroll compressor
- With a derating function



Life cycle costs:

- Easy serviceability with 3-piece cover design
- Available with e-connected (optional)



Lightweight construction:

- Lightweight plastic construction
- Simplified refrigerant circuit and components
- Aluminium flat tube heat exchanger technology (MCHX)
- Reduced roof footprint



Environmental protection:

- Lightweight unit for reduced energy consumption
- Reduced refrigerant quantity



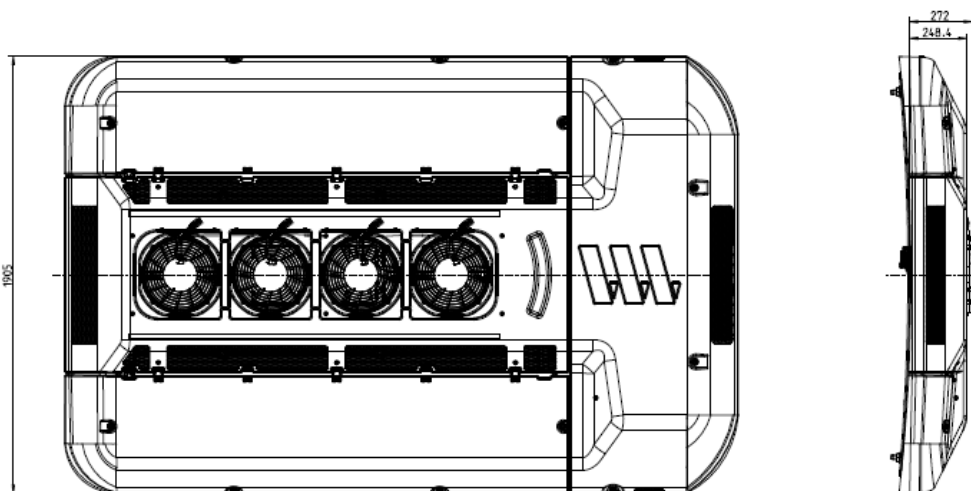
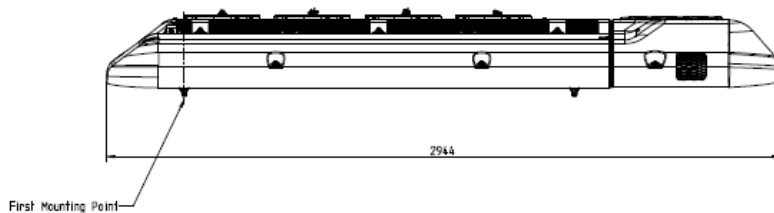
TECHNICAL DATA

PARAMETER***	AC135-228AE	AC135-230AE	AC135-235AE	AC135-240AE
Capacity Class	28 kW	30 kW	35kW	40 kW
Heating Performance** (hot water – option)	31 kW	36 kW	36 kW	36 kW
Length	2620 mm	2944 mm	2944 mm	2944 mm
Width	1629 mm	1905 mm	2905 mm	1905 mm
Height	265 mm	295 mm	295 mm	295 mm
Weight	170 kg	210 kg	220 kg	220 kg
Evaporator air capacity	4400 m ³ /hr	4400 / 6600 m ³ /hr	6600 m ³ /hr	6600 m ³ /hr
Max current consumption (24VDC)*	72 Amps	72 / 91 Amps	97 Amps	97 Amps
Current consumption – 400 VAC (A)	12.1	12.1	12.7	25.1
Compressor power consumption	7.5 kW	7.5 kW	7.8 kW	15.4 kW
Voltage (VAC)	380	380	380	380
Refrigerant	R407C	R407C	R407C	R407C
Roof radius	10 m	10 m	10 m	10 m
Battery chiller (option)	10 kW	10 kW	10 kW	10 kW

* With brushless evaporator blowers

** Q80, 2500m³/h airflow, 1500 litres per hour water flow

*** Please contact Eberspaecher for further details



AC135-230AE/-235AE/-240AE