

A WORLD OF COMFORT



CLIMATE CONTROL SYSTEM / AC135

COMPACT ROOF-MOUNTED HEAT PUMP FOR HEATING AND COOLING OF ELECTRIC BUSES

ALL BENEFITS AT A GLANCE



Modular:

- Modular interface for all buses for all performance classes
- Aerodynamic profile with reduced roof footprint
- Reduced installation time due to parallel system with one-piece unit including both condenser, evaporator, compressor and battery cooling heat exchanger
- For use in all climate zones
- For use with side or centre return air grilles
- Available with options for water heating, fresh air (max 25%), inverter and battery cooling all within the same unit
- Excellent high ambient operations using R134a refrigerant



Energy efficiency:

- Refrigerant reverse cycle with increased efficiency in heating conditions (COP of up to 3)



Life cycle costs:

- Easy serviceability with 3-piece cover design
- Serviceable high voltage compressor
- Available with e-connected (optional)



Lightweight construction:

- Lightweight plastic construction
- Simplified refrigerant circuit and components
- Fin and tube heat exchangers
- Reduced roof footprint



Environmental protection:

- Light system for reduced energy consumption
- Refrigerant reverse cycle with increased efficiency
- Reduced refrigerant quantity



TECHNICAL DATA

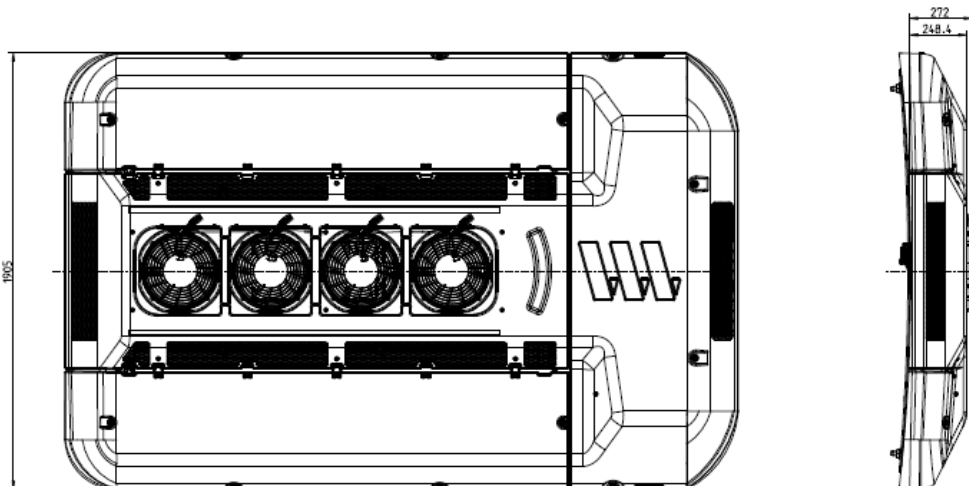
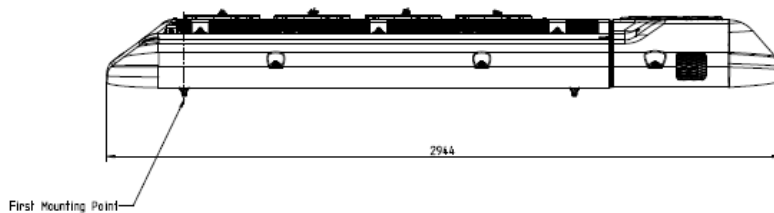
PARAMETER****	AC135-230HP	AC135-240HP
Capacity Class	30 kW	40 kW
Heating performance*** (heat pump)		12.0 kW / 14.0 kW 22.0 kW / 24.0 kW
Heating Performance** (hot water – option)	36 kW	36 kW
Length	2944 mm	2944 mm
Width	1905 mm	1905 mm
Height	295 mm	295 mm
Weight	215 / 220 kg	225 kg
Evaporator air capacity	4400 / 6600 m ³ /hr	6600 m ³ /hr
Max current consumption (24VDC)*	75 / 89 Amps	97 Amps
Current consumption – 400 VAC (A)		21
Compressor power consumption		12.8 kW
Voltage (VAC)	380	380
Refrigerant	R134a	R134a
Roof radius	10m	10m
Battery chiller (option)	10kW	10 kW

* With brushless evaporator blowers

** Q80, 2500m³/h airflow, 1500 litres per hour water flow

*** -5°C ambient, 16°C saloon / 10°C ambient, 20°C saloon

**** Please contact Eberspaecher for further details



AC135-230HP/-240HP