

A WORLD OF COMFORT



CLIMATE CONTROL SYSTEM / AC135

## **COMPACT ROOF-MOUNTED AIR CONDITIONING UNITS FOR CONVENTIONAL BUSES**

# ALL BENEFITS AT A GLANCE



## Modular:

- Modular interface for all buses for all performance classes
- Compatibility with previous AC353 roof footprint
- Aerodynamic profile with reduced roof footprint
- Reduced installation time due to parallel system with one-piece unit including both condenser and evaporator
- Proven high ambient performance
- For use with side or centre return air grilles
- Available with options for water heating, fresh air (max 25%)



## Energy efficiency:

- Optimised fin and tube heat exchanger technology to maximise performance & efficiency



## Life cycle costs:

- Easy serviceability with multi-piece cover design
- Available with e-connected (optional)



## Lightweight construction:

- Lightweight plastic construction
- Optimised heat exchanger design to maximise performance per kilogram
- Reduced roof footprint



## Environmental protection:

- Reduced sheet-metal content
- Reduction in number of refrigerant connections



# TECHNICAL DATA

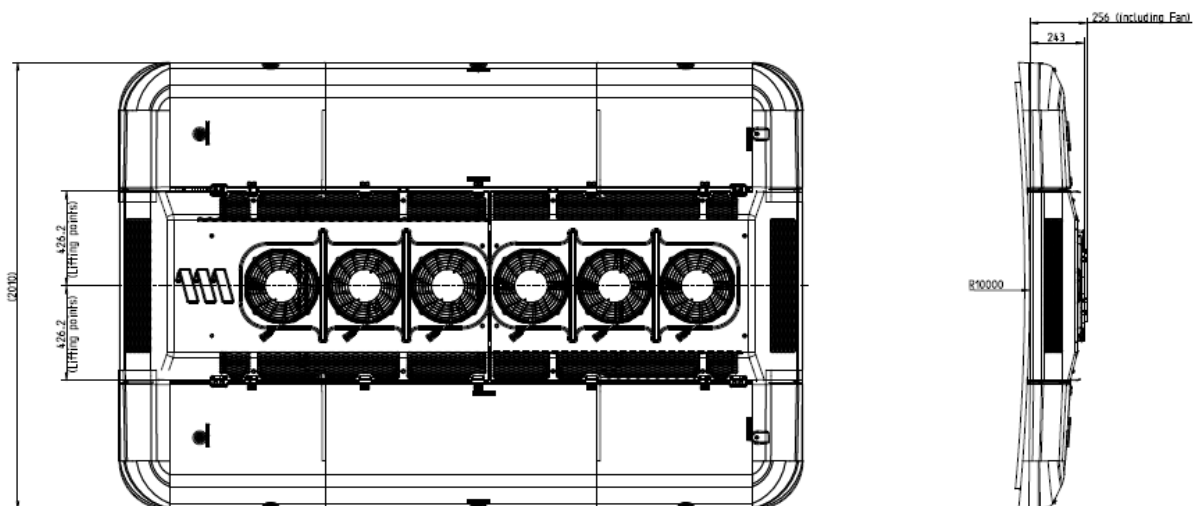
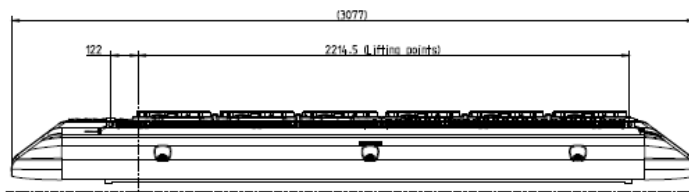
PARAMETER****	AC135-240	AC135-245	AC135-250
<b>Long</b>			
Capacity Class	40 kW	45 kW	50 kW
Heating performance*** (heat pump)	37 kW	24 kW	24 kW
Length	3077 mm	3077 mm	3077 mm
Width	2010 mm	2010 mm	2010 mm
Height	256 mm	256 mm	256 mm
Weight	165	174	185
Evaporator air capacity	6600 m <sup>3</sup> /hr	8000 m <sup>3</sup> /hr	8000 m <sup>3</sup> /hr
Max current consumption (24VDC)**	92 Amps	117 Amps	117 Amps
Refrigerant	R134a	R134a	R134a
Roof radius	6.5 - 10m	6.5 - 10m	6.5 - 10m
Compressor size*	560 / 650 cm <sup>3</sup>	650 cm <sup>3</sup>	750 / 775 cm <sup>3</sup>

\* Other compressor types available on request

\*\* With brushless evaporator blowers

\*\*\* Q80, 2500m<sup>3</sup>/h airflow, 1500 litres per hour water flow

\*\*\*\* Please contact Eberspaecher for further details



AC135-240 Long/-245/-250